

# 51101 Thrust ball bearings, single direction

- Popular item

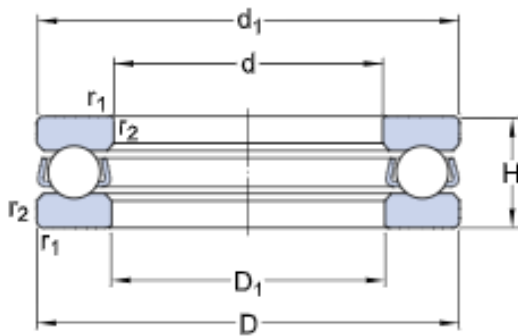
## Thrust ball bearings, single direction



Bearing data  
Tolerances,  
table 1

Bearing interfaces  
Seat tolerances for standard  
conditions,  
Tolerances and resultant fit

### Technical specification

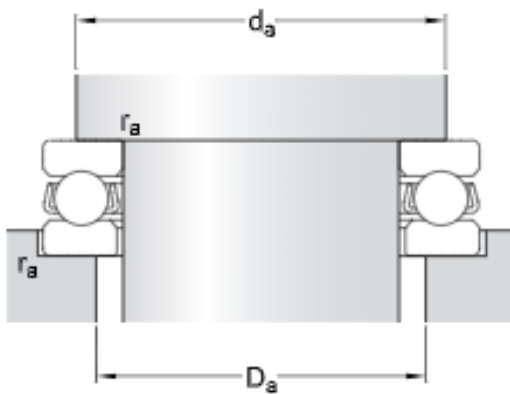


### DIMENSIONS

|           |             |                               |
|-----------|-------------|-------------------------------|
| d         | 12 mm       | Bore diameter                 |
| D         | 26 mm       | Outside diameter              |
| H         | 9 mm        | Height                        |
| $d_1$     | ≈ 26 mm     | Outside diameter shaft washer |
| $D_1$     | ≈ 13 mm     | Inner diameter housing washer |
| $r_{1,2}$ | min. 0.3 mm | Chamfer dimension washer      |

### ABUTMENT DIMENSIONS

|       |             |                           |
|-------|-------------|---------------------------|
| $d_a$ | min. 21 mm  | Abutment diameter shaft   |
| $D_i$ | max. 17 mm  | Abutment diameter housing |
| $r_a$ | max. 0.3 mm | Fillet radius             |



## CALCULATION DATA

|                |              |                           |
|----------------|--------------|---------------------------|
| C              | 10.4 kN      | Basic dynamic load rating |
| C <sub>0</sub> | 16.6 kN      | Basic static load rating  |
| P <sub>u</sub> | 0.62 kN      | Fatigue load limit        |
|                | 9 000 r/min  | Reference speed           |
|                | 13 000 r/min | Limiting speed            |
| A              | 0.001        | Minimum load factor       |

## MASS

|          |   |
|----------|---|
| 0.022 kg | Mass bearing (including seat washer where applicable) |
|----------|---|

## More information

|   |   |  |
|---|---|--|
| <p>Product details</p> <ul style="list-style-type: none"> <li><a href="#">Designs and variants</a></li> <li><a href="#">Bearing data</a></li> <li><a href="#">Loads</a></li> <li><a href="#">Temperature limits</a></li> <li><a href="#">Permissible speed</a></li> <li><a href="#">Mounting</a></li> <li><a href="#">Designation system</a></li> </ul> | <p>Engineering information</p> <ul style="list-style-type: none"> <li><a href="#">Principles of rolling bearing selection</a></li> <li><a href="#">General bearing knowledge</a></li> <li><a href="#">Bearing selection process</a></li> <li><a href="#">Bearing interfaces</a></li> <li><a href="#">Seat tolerances for standard conditions</a></li> <li><a href="#">Lubrication</a></li> <li><a href="#">External sealing, mounting and dismounting</a></li> <li><a href="#">Bearing failure and how to prevent it</a></li> </ul> | <p>Tools</p> <ul style="list-style-type: none"> <li><a href="#">Bearing Select</a></li> <li><a href="#">Engineering Calculator</a></li> <li><a href="#">SimPro Quick</a></li> <li><a href="#">LubeSelect for SKF greases</a></li> <li><a href="#">Heater selection tool</a></li> </ul> |
|---|---|--|